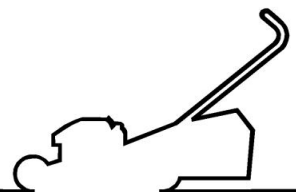
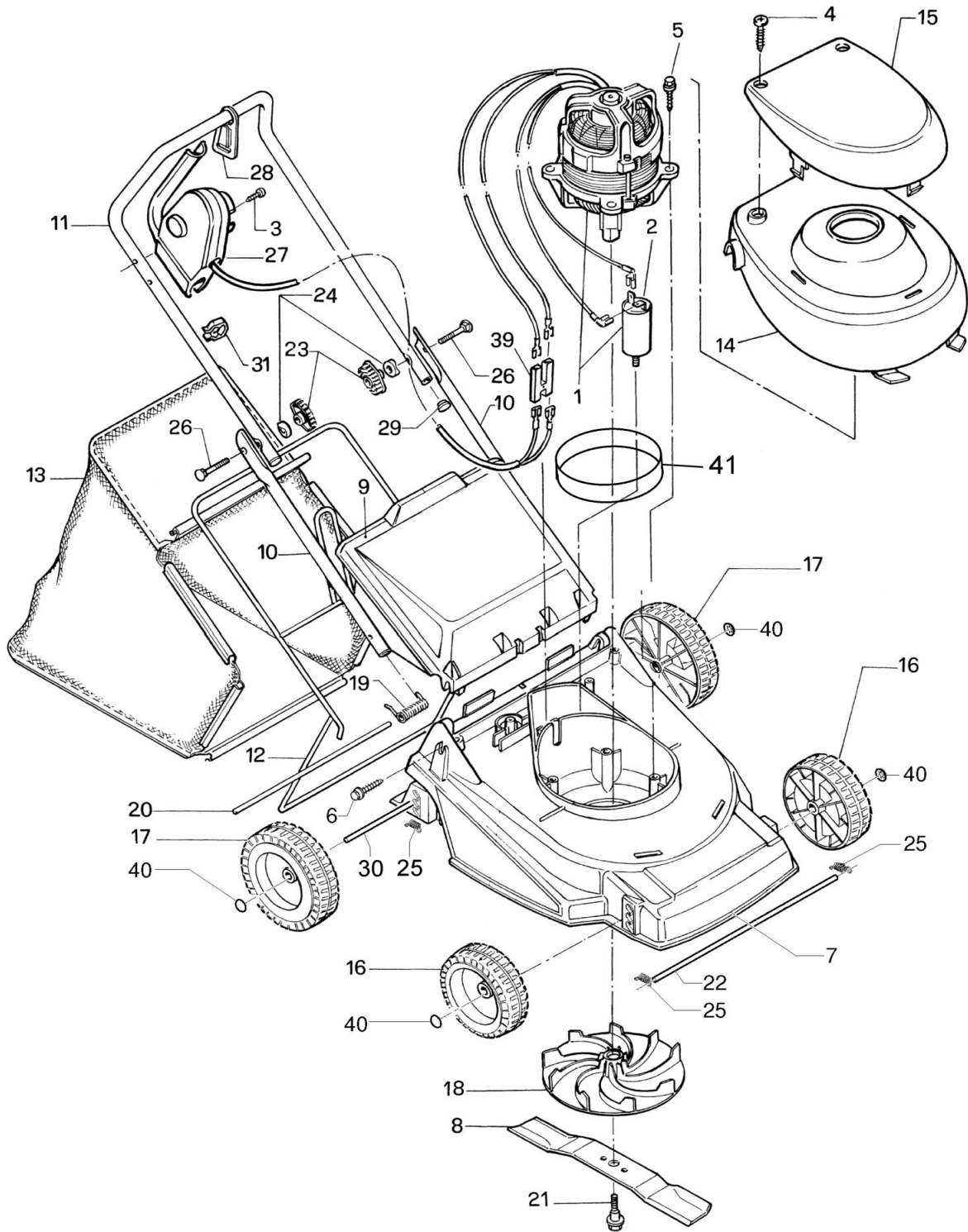


GT 40 E - GX 40 E - SP 40 E



MOD. GT 40 E - GX 40 E - SP 40 E

| POS. | CODICE | I | F | D | GB | E | GT 40 | GX 40 | SP 40 |
|------|-------------|----------------------|---------------|--------------------|---------------|------------------|-----------------------|-------|-------|
| 1 | CP017100F | Motore El. 1100 W | Moteur | Motor | Engine | Motor | | 1 | 1 |
| 1 | CP017130F | Motore El. 1300 W | Moteur | Motor | Engine | Motor | 1 | | |
| 2 | CP019810 | Condensatore 10 M | Condensateur | Kondensator | Condenser | Condensador | Old Engine 1100 W ATB | | |
| 2 | CP019814 | Condensatore 14 M | Condensateur | Kondensator | Condenser | Condensador | | 1 | 1 |
| 2 | CP019816 | Condensatore 16 M | Condensateur | Kondensator | Condenser | Condensador | 1 | | |
| 3 | CP023925 | Vite Autof. | Vis | Schraube | Screw | Tornillo | 2 | 2 | 2 |
| 4 | CP025025 | Vite Autof. | Vis | Schraube | Screw | Tornillo | 2 | 2 | 2 |
| 5 | CP026030 | Vite Autof. | Vis | Schraube | Screw | Tornillo | 4 | 4 | 4 |
| 6 | CP026338 | Vite Autof. | Vis | Schraube | Screw | Tornillo | 2 | 2 | 2 |
| 7 | CP040002 | Chassis Verde N.T | Carter | Gehäuse | Deck | Chasis | 1 | | |
| 7 | CP040002.02 | Chassis Rosso N.T | Carter | Gehäuse | Deck | Chasis Ral 3000 | | 1 | |
| 7 | CP040002.13 | Chassis Giallo N.T | Carter | Gehäuse | Deck | Chasis Ral 1021 | | | 1 |
| 8 | CP040010 | Lama | Lame | Messer | Blade | Cuchilla | 1 | 1 | 1 |
| 9 | CP047018 | Parasassi | Deflecteur | Deflektor | Rear Door | Deflectór | 1 | 1 | 1 |
| 10 | CP032033 | Manico Inf. | Guidon | Stiel | Handle | Manillar | 2 | 2 | 2 |
| 11 | CP032038 | Manico Sup. | Guidon | Stiel | Handle | Manillar | 1 | 1 | 1 |
| 12 | CP040078 | Telaio Cesto | Attelage | Grasfangrahmen | Frame | Armazon Saco | 1 | 1 | 1 |
| 13 | CP040083 | Tela Cesto Bianca | Sac Ramasseur | Grasfangsack | Grass Bag | Saco Tela | 1 | | |
| 13 | CP040083.05 | Tela Cesto Nera | Sac Ramasseur | Grasfangsack | Grass Bag | Saco Tela | | 1 | 1 |
| 14 | CP032102 | Cupolina Inf. Bianco | Calotte | Verkleidung | Cover | Carcasa | 1 | 1 | 1 |
| 15 | CP032103 | Cupolina Sup. Verde | Calotte | Verkleidung | Cover | Carcasa | 1 | | |
| 15 | CP032103.02 | Cupolina Sup. Rosso | Calotte | Verkleidung | Cover | Carcasa Ral 3000 | | 1 | |
| 15 | CP032103.13 | Cupolina Sup. Giallo | Calotte | Verkleidung | Cover | Carcasa Ral 1021 | | | 1 |
| 16 | CP033109 | Ruota 150 Foro 7 | Roue | Rad | Wheel | Rueda | 2 | 2 | 2 |
| 17 | CP040108 | Ruota 170 Foro 7 | Roue | Rad | Wheel | Rueda | 2 | 2 | 2 |
| 18 | CP032158 | Ventola | Ventilateur | Laufrad | Fan | Ventilador | 1 | 1 | 1 |
| 19 | CP047193 | Molla Parasassi | Ressort | Feder | Spring | Muelle | 1 | 1 | 1 |
| 20 | CP040203 | Astina | Axe Pivot | Stange | Hinge Pin | Eje Deflectór | 1 | 1 | 1 |
| 21 | CP032209 | Vite Lama | Vis | Schraube | Screw | Tornillo | 1 | 1 | 1 |
| 22 | CP040204 | Asse Per Ruote Ant | Axe Roue | Radstift | Pin | Eje Rueda | 1 | 1 | 1 |
| 23 | CP032228 | Pomolo Manico | Écrou | Griff | Knob Handle | Pomo Manillar | 2 | 2 | 2 |
| 24 | CP032230 | Rondella | Rondelle | Scheibe | Washer | Arandela | 2 | 2 | 2 |
| 25 | CP033192 | Molla Per Ruote 40 | Ressort | Feder | Spring | Muelle | 4 | 4 | 4 |
| 26 | CP040640 | Vite Ttqst | Vis | Schraube | Screw | Tornillo | 2 | 2 | 2 |
| 27 | CP042185 | Interruttore D-I-A-B | Interrupteur | Schalter D-I-F-A-B | Switch | Interruptor | 1 | 1 | 1 |
| 28 | CP042218 | Supporto Cavo | Porte Cable | Kabelhalter | Cable Support | Fijador Cable | 1 | 1 | 1 |
| 29 | CP045718 | Tappo | Couvercle | Kappe | Cap | Tapa | 2 | 2 | 2 |
| 30 | CP040205 | Asse Per Ruote Po | Axe Roue | Radstift | Pin | Eje Rueda | 1 | 1 | 1 |
| 31 | CP050222 | Fermacavo | Attache Cable | Kabelbeschwerer | Clip | Fijador Cable | 1 | 1 | 1 |
| 39 | CP019910 | Morsetto | Attache Cable | Kabelbeschwerer | Clip | Fijador Cable | 1 | 1 | 1 |
| 40 | CP046617 | Cappello Sferico | Clip | Rückhalt | Retainer | Anillo Clip | 4 | 4 | 4 |
| 41 | CP032174 | Anello Convogliato | Anneau | Ring | Ring | Anillo | Old Engine 1100 W ATB | | |
| 41 | CP040173 | Anello Convogliato | Anneau | Ring | Ring | Anillo | Old Engine 1300 W ATB | | |